



Product Overview

A small, silent fibre optic illuminator powered by LED technology.

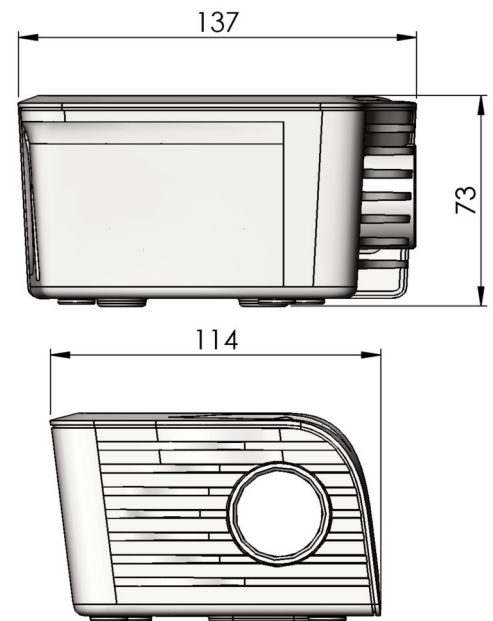
Manufactured from durable ABS and supplied as standard in a black finish. White and grey enclosures are available to special order.

This illuminator utilises a white light LED array and is suitable for use with either glass or PMMA fiber.



Technical Information

Port connector size	30mm diameter
Fiber type	Glass / PMMA
Mains Supply Voltage	110-240 VAC, 50/60Hz
PSU Output	12V DC, 1.5A, 18W max.
Power Consumption	5W
LED Type	White light LED
LED Power	3W
Min Ambient Temperature	-10°C
Max Ambient Temperature	+45°C
Operating Environment	Indoor / dry
Color Temperatures	3000K or 4000K
LED Life	50,000 hours in ambient 25°C
Material	ABS
Finish	Black (white or grey to special order)
Dimensions (L x W x H) / Weight	137mm x 114mm x 73mm / 260g 5.39" x 4.49" x 2.87" / 0.57lb



Operating Environment

Illuminators are the only part of a fiber optic system that contain electricity and therefore must only be used in dry conditions. UFO offer a full range of weather resistant enclosures which should be used if the illuminator is to be located in a wet or humid environment. See our website or contact us for details.

